

Features

- External dimensions: 12.7 x 12.7 x 5.4 mm.
- Frequency range: 1MHz ~ 100MHz.
- All metal welded package.
- Built-in CMOS IC with tristate function.

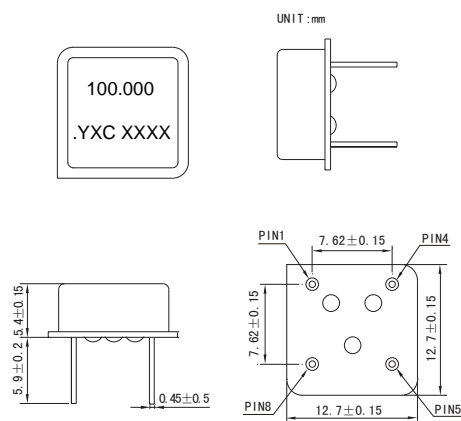
Applications

- Monitor, computers, wireless lan card & wire, CDplayer, HDD, Work station.

Electrical Specifications

Item / Type	YSO1212SR
Output Frequency Range	1 ~ 100 MHz
Output Type	CMOS
Supply Voltage	3.3V/5V, or specify
Oscillation Mode	Fundamental
Frequency Tolerance	± 20ppm, ± 25ppm, or specify
Output Load	15 pF, or specify
Operating Temperature Range	- 20 ~ + 70 °C , - 40 ~ + 85 °C , or specify
Storage Temperature Range	- 40 ~ + 85 °C , - 55 ~ + 125 °C
Voltage Vol (Max.) / Vol (Min.)	90%Vdd min./10%Vdd max
Symmetry	40 ~ 60 % Standard
Rise (Tr) / Fall (Tf) Time	10 ns Max.
Start-up Time	10 ms Max.
Supply Current	30 mA Max. (<50MHz)
Frequency Aging (at 25 °C)	± 3 ppm / year Max.

Dimensions



引脚	功能	定义
1	E/D	三态 / 无三态
2	GND	接地
3	OUTPUT	输出
4	Vdd	电源电压

Units: mm

★ **PART NUMBER GUIDE 部件号示例** e.g. O1212D100MEEA4SC YSO1212SR=12.7×12.7 SMD SEAM TYPE

Quartz Crystal Oscillator	Dimensions	Frequency (Hz)	Supply voltage (V)	Frequency Stability Overall (ppm)	output	Pin	Material	Operating Temp. Range
O	1212D	100M	E	E	A	4	S	C

★ **INPUT CURRENT 工作电流**

Vdc=5.0V		Vdc=1.8~3.3V	
15pF only		15pF only	
1.0 ~ 35.999 MHz	25 mA max	1.0 ~ 35.999 MHz	20mA max
36.0 ~ 69.999 MHz	60mA max	36.0 ~ 69.999 MHz	40mA max
70.0 ~ 100 MHz	80mA max	70.0 ~ 100 MHz	60mA max

★ **Test Circuit 测试电路**

